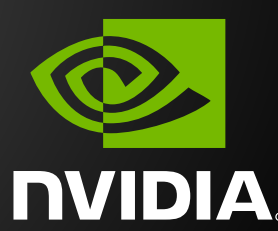


# STEP UP TO 4K SOLIDWORKS



4X MORE PIXELS

2 MILLION PIXELS  
HD 1,920x1,080

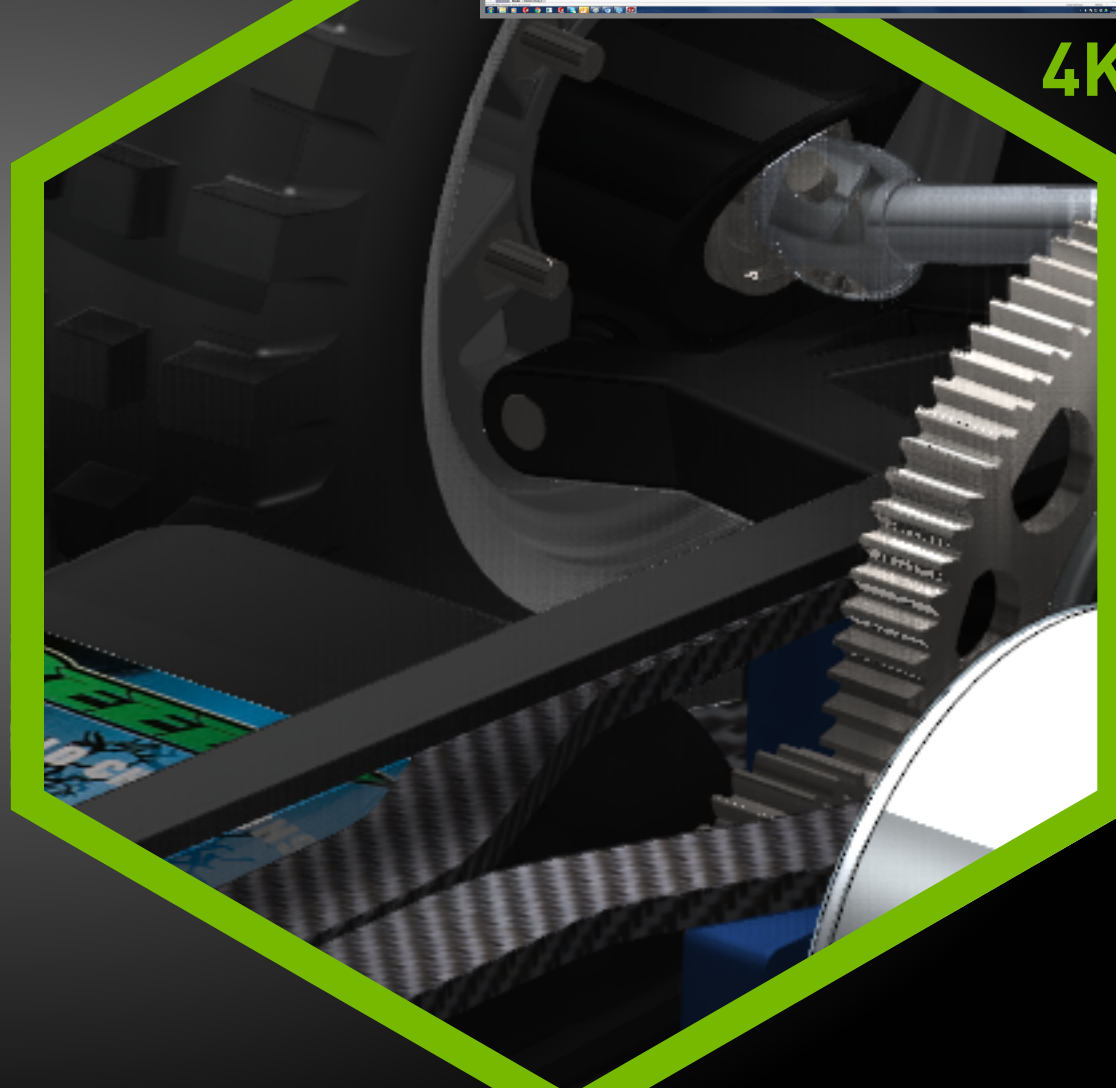
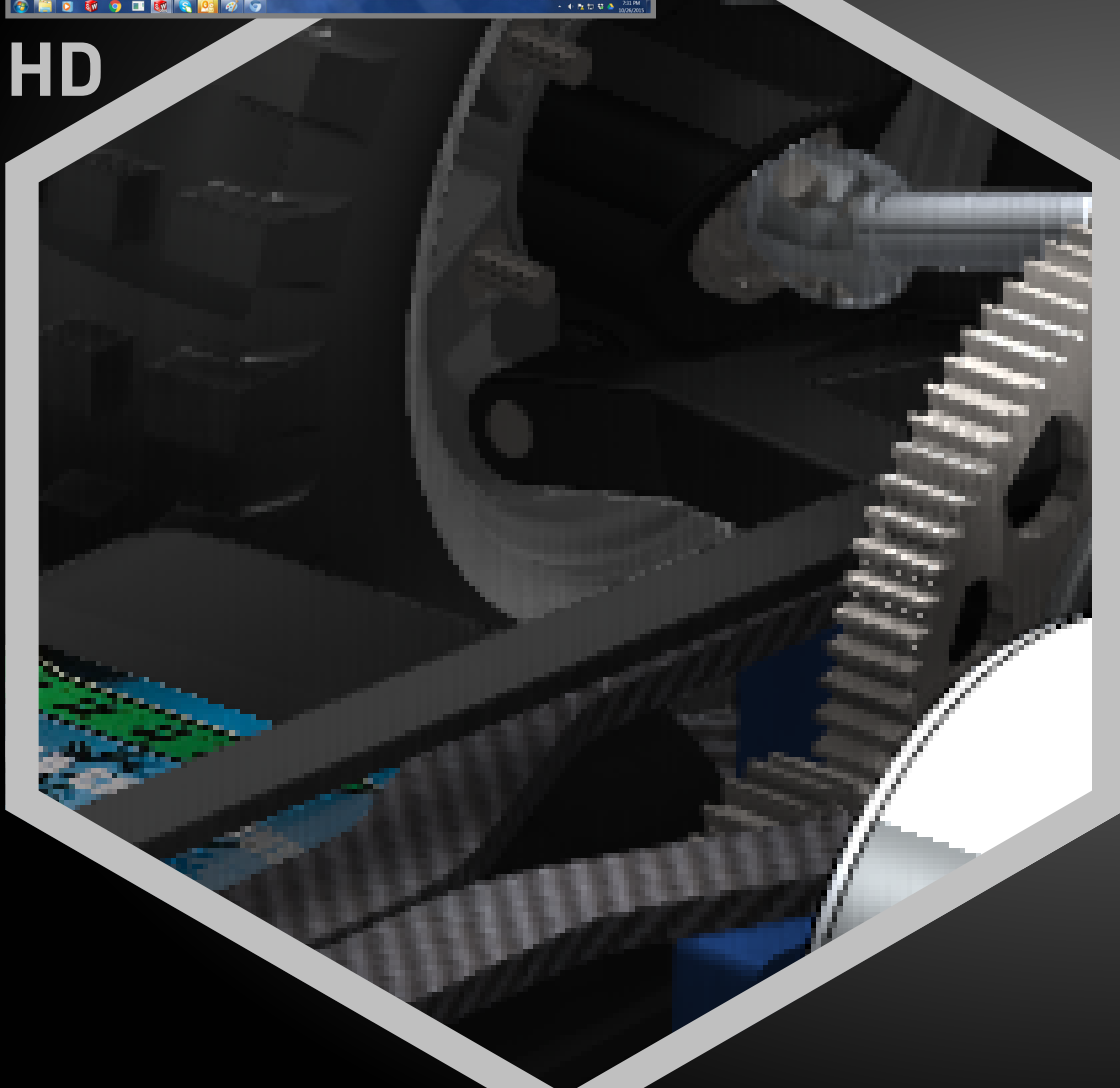
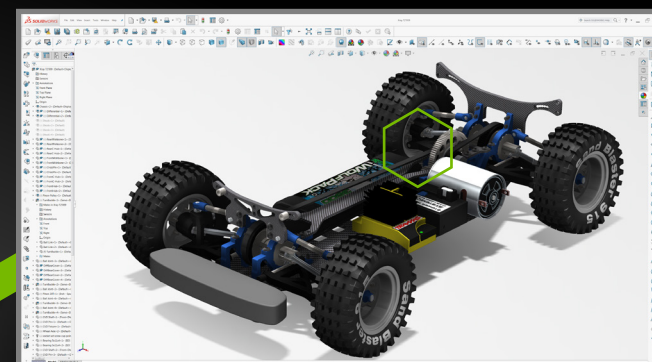
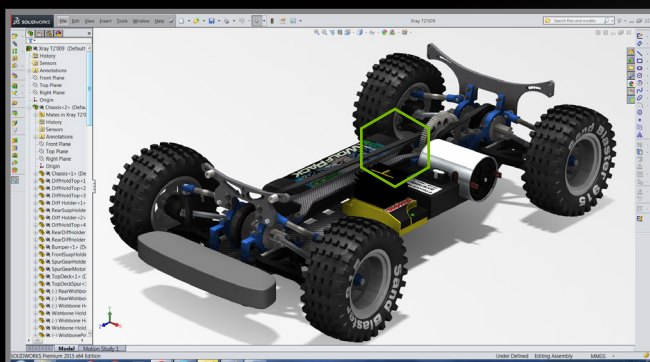
8 MILLION PIXELS  
4K 3,840x2,160

HD

4K

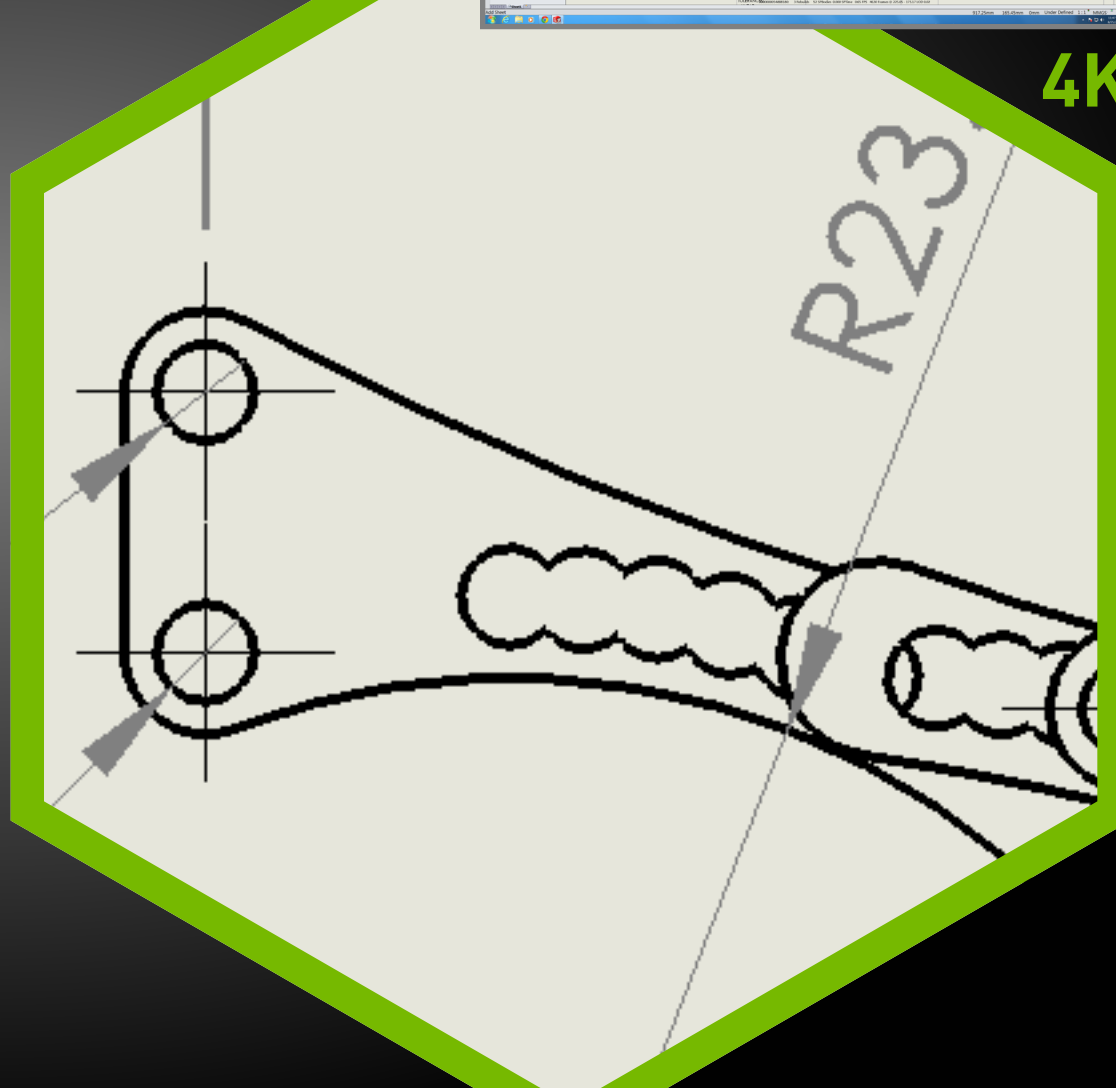
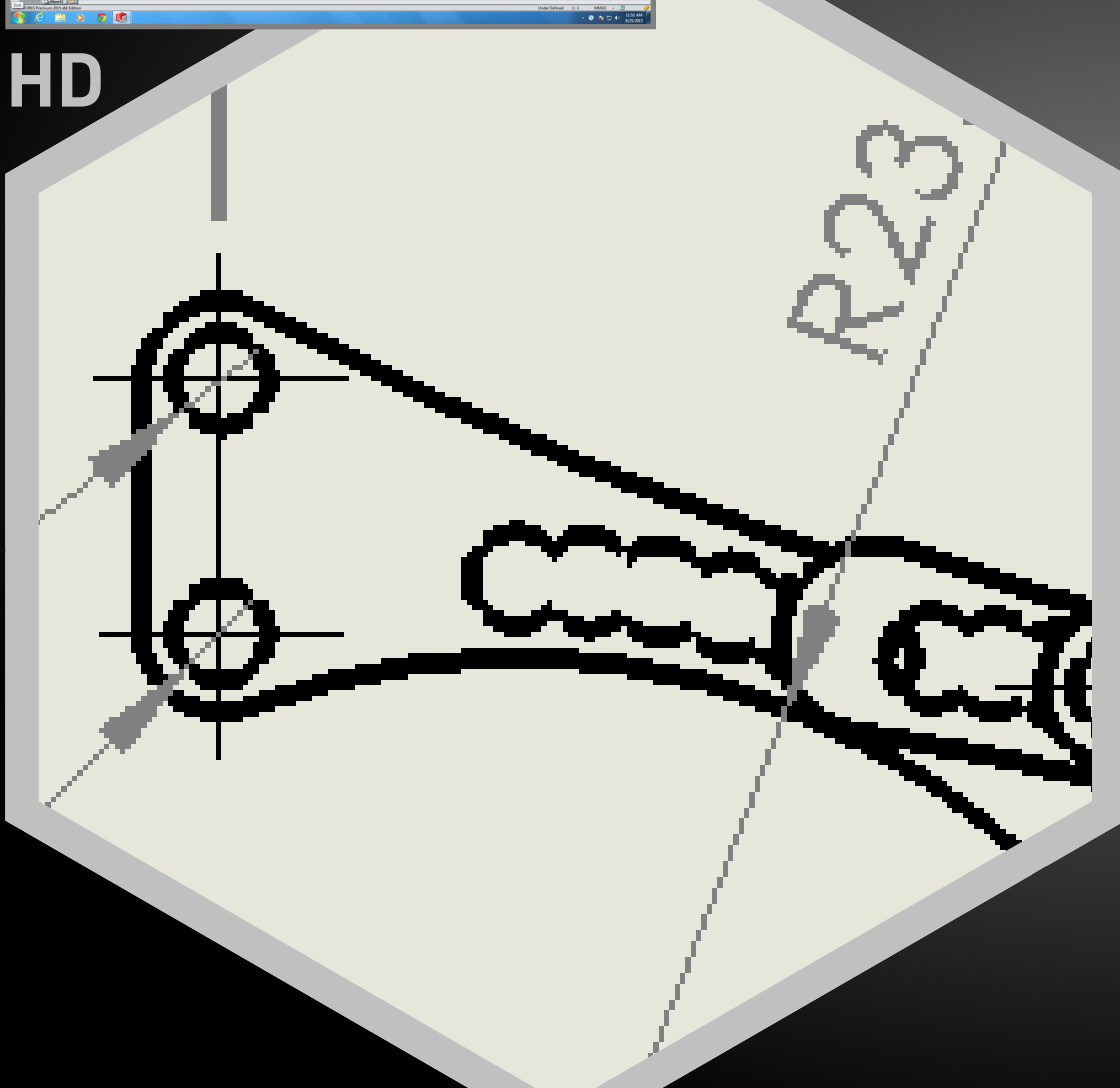
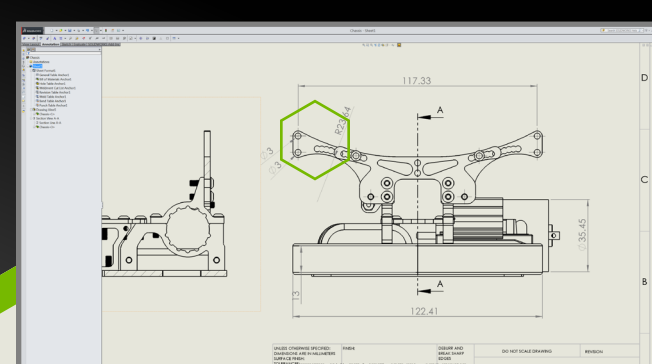
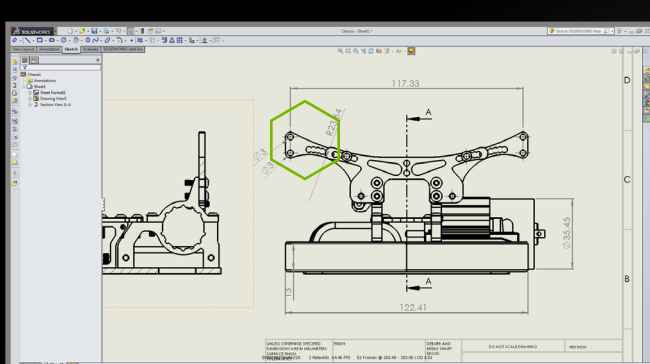
## 4K FOR 3D CAD

GREATER DETAIL



## 4K FOR 2D CAD

SHARPER LINES

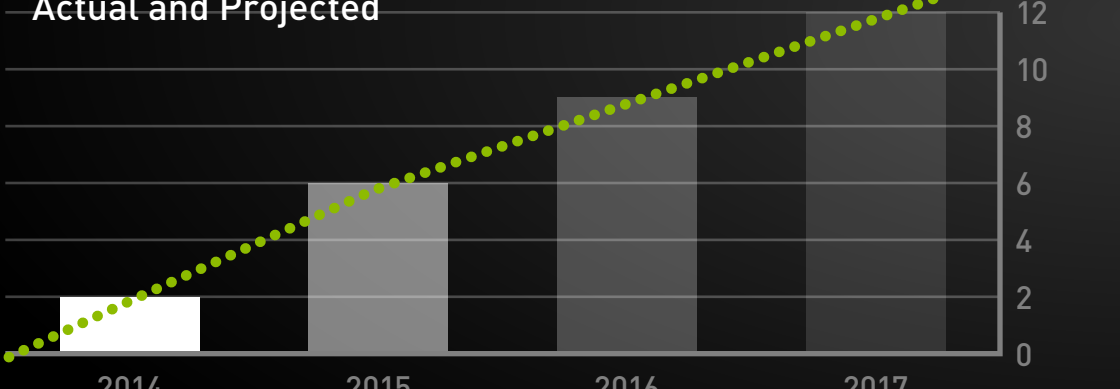


## IS IT TIME FOR 4K?

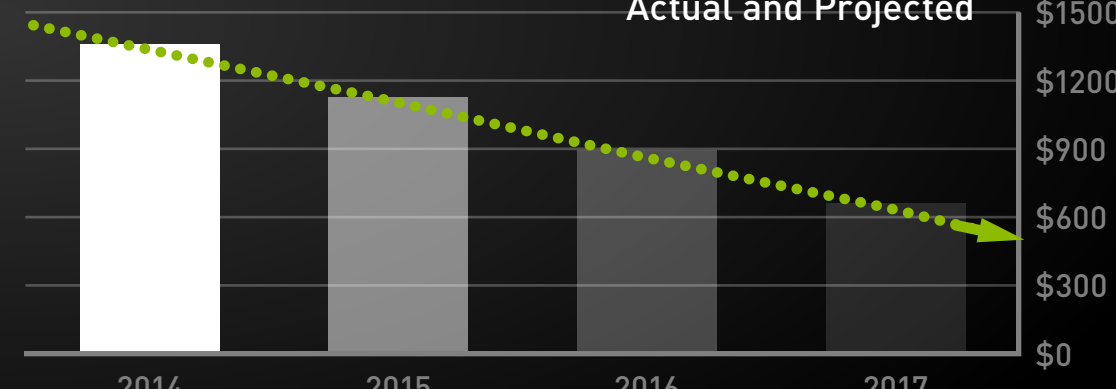
### 4K DISPLAYS

4K display shipments are growing rapidly while prices continue to fall.

4K Display Sales in Millions Actual and Projected



4K Display Costs Actual and Projected

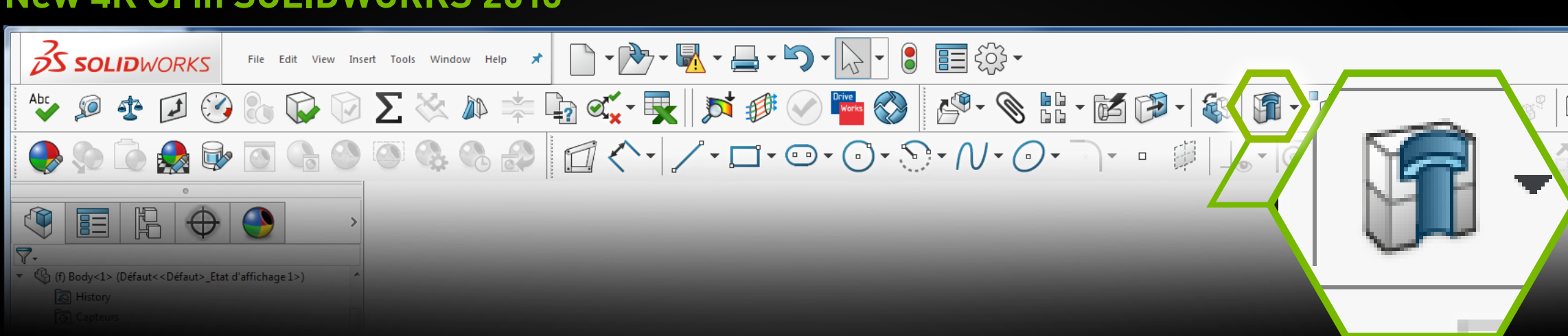


Source: 2014 DisplaySearch, NPD Group Company

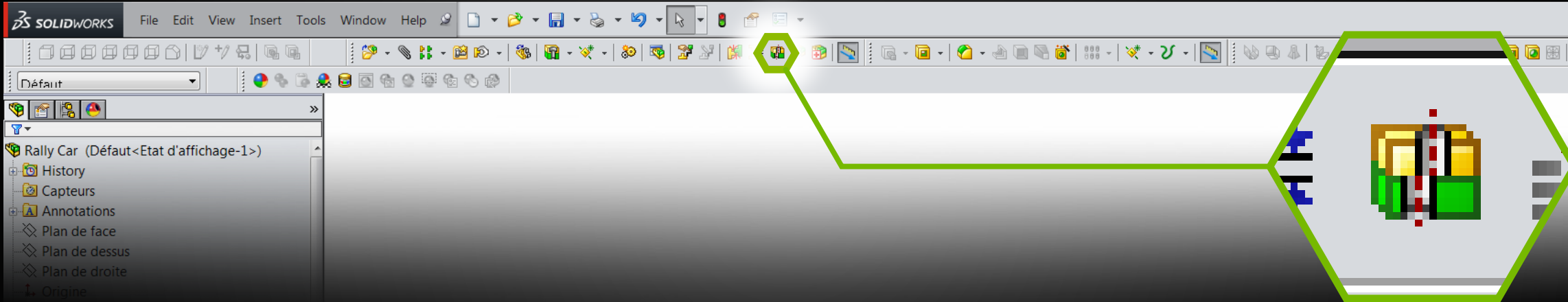
### SCALABLE USER INTERFACE

Scalable UI enables clearer, crisper text and larger, more readable icons in 4K.

#### New 4K UI in SOLIDWORKS 2016

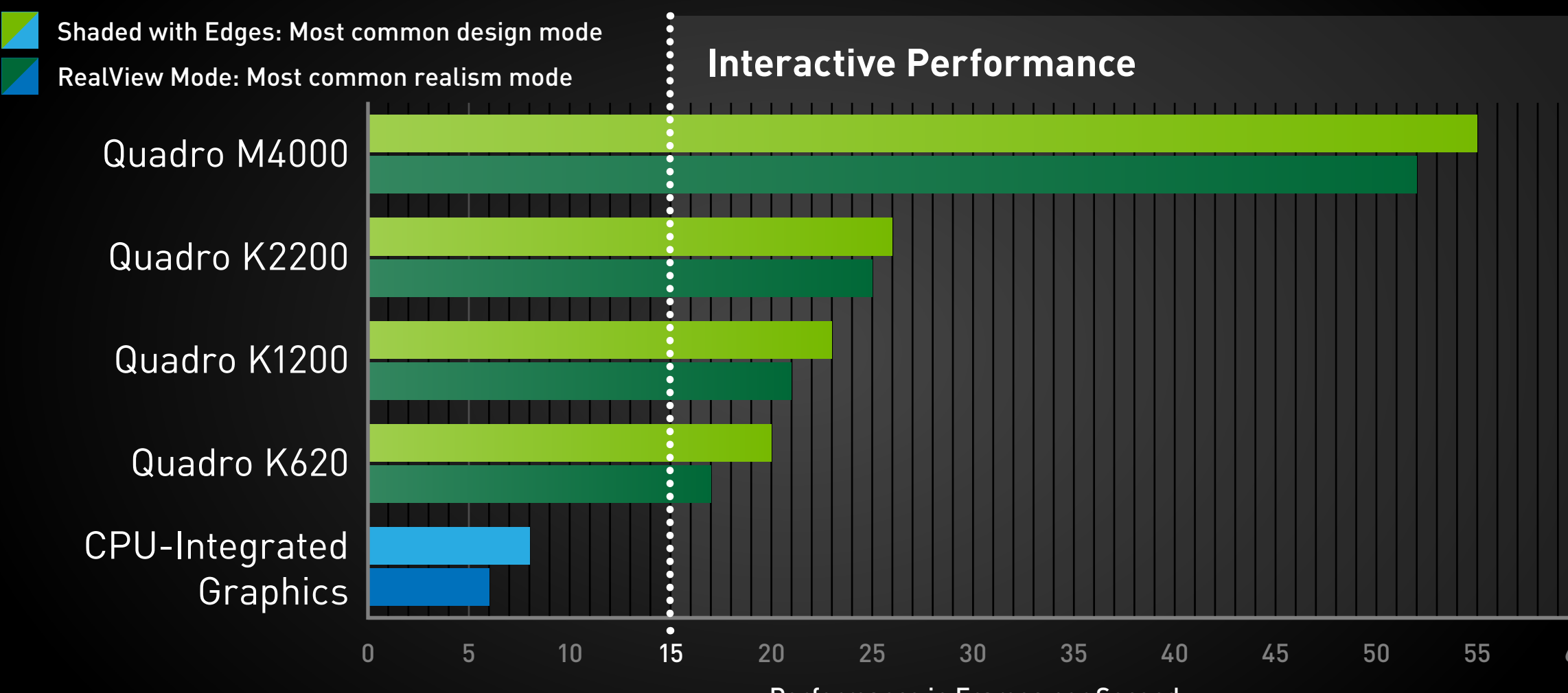


#### 4K UI in SOLIDWORKS 2015



### INTERACTIVE PERFORMANCE

NVIDIA® Quadro® discrete graphics deliver superior interactive performance at 4K in SOLIDWORKS.



SPECapc for SOLIDWORKS 2015 at 4K resolution run on an HP Z230, XEON E3-1246v3, 32GB RAM, Win7-64(SP1), Intel P4600 graphics

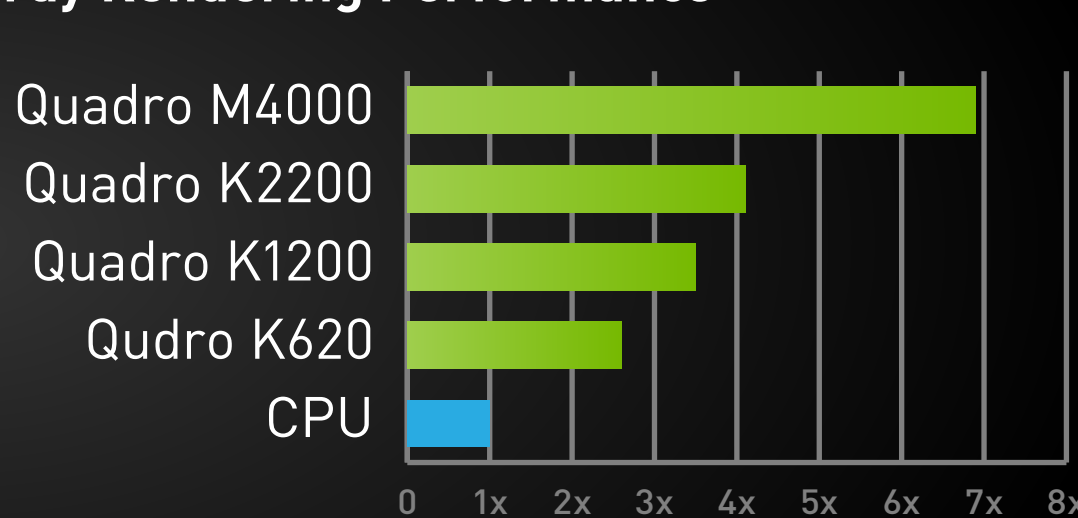
### INTERACTIVE PHOTOREALISM

Easily scale up to interactive photorealism with NVIDIA Iray® and Quadro discrete graphics.



Rendered using NVIDIA Iray technology.

#### Iray Rendering Performance



NVIDIA Internal Iray benchmark run on an HP Z230, XEON E3-1245v3 16GB RAM, Win7-64(SP1)

### THE RIGHT GEAR FOR SOLIDWORKS

Experience amazing interactive 4K performance only with NVIDIA Quadro.

4K DISPLAY

NVIDIA QUADRO DISCRETE GRAPHICS

HIGHER PRODUCTIVITY



+



=



MINIMUM  
K620

RECOMMENDED  
K1200/K2200

BEST  
M4000 +



For more information visit [www.nvidia.com/solidworks](http://www.nvidia.com/solidworks)